

NATURAL LIGHT ENERGY SYSTEMS

IMPACT SELF FLASHING SINGLE GLAZED TUBULAR SKYLIGHTS

INSTALLATION ANCHORAGE DETAILS

GENERAL NOTES:

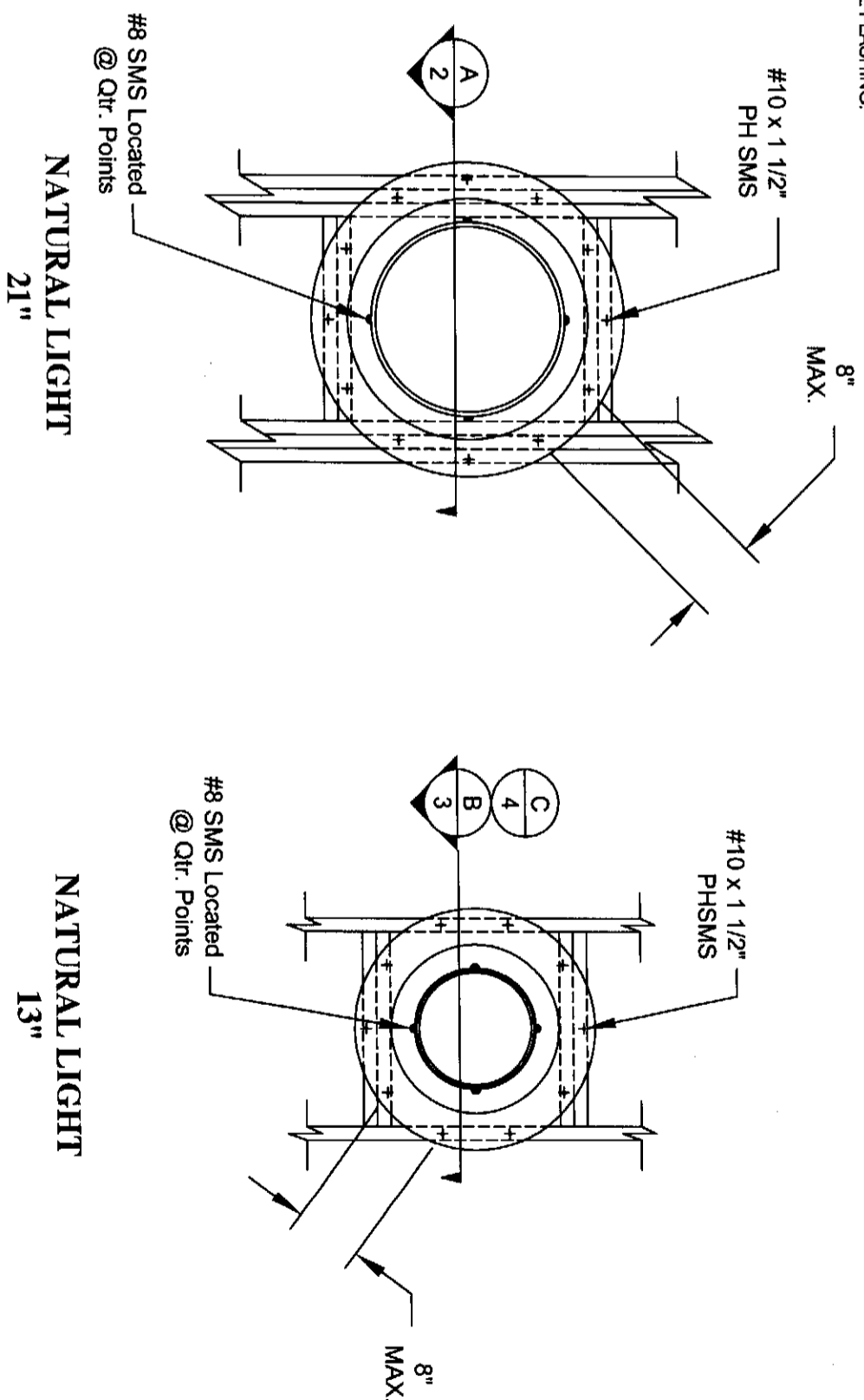
1. THE PRODUCT ANCHORAGE SHOWN HEREIN IS DESIGNED TO COMPLY WITH THE 2007 FLORIDA BUILDING CODE (FBC) REQUIREMENTS WIND ZONE 4, MISSILE LEVEL D, AT THE DESIGN PRESSURE(S) STATED HEREIN, NOT INTENDED FOR USE INSIDE HVHZ ZONES.
2. THE PRODUCT DETAILS CONTAINED HEREIN ARE BASED UPON SIGNED AND SEALED TEST REPORTS # HTL 0290-0318-02 DATED 06/13/02 AND ASSOCIATED LABORATORY STAMPED DRAWINGS.
3. ADEQUACY OF THE EXISTING STRUCTURAL FRAMING AS A MAIN WIND FORCE RESISTING SYSTEM CAPABLE OF WITHSTANDING AND TRANSFERRING APPLIED PRODUCT LOADS TO THE STRUCTURE IS THE RESPONSIBILITY OF THE ENGINEER OR ARCHITECT OF RECORD.
4. DOME IS GLAZED INTO DOME RING BY FIRST APPLYING A BEAD OF GEOCELL 2300 TRIPOLYMER SEALANT INTO DOME RING AND THEN INSERTING DOME. DOME ENGAGES INTO DOME RING A MINIMUM OF 1/4 INCH.

INSTALLATION NOTES:

1. INSTALL DOME RING INTO FLASHING USING #8 PH SMS WITH SUFFICIENT LENGTH FOR SCREWS TO PROTRUDE THREE THREAD PITCHES BEYOND FLASHING. LOCATE SCREWS ONE AT EACH QUARTER POINT OF DOME RING. DOME RING OVERLAPS FLASHING A MINIMUM OF 1 1/4 INCH AROUND ITS CIRCUMFERENCE.
2. INSTALL FLASHING TO PREPARED ROOF DECK ASSEMBLY BY LAYING A BED OF CONTINUOUS BEAD OF GEOCELL 2300 TRIPOLYMER SEALANT BETWEEN ROOF DECK AND FLASHING AND A SINGLE ROW OF #10 X 1 1/2 PH SMS SPACED NO MORE THAN 8 INCHES ON CENTER AROUND THE ENTIRE CIRCUMFERENCE OF THE FLASHING.
3. APPLY A BEAD OF GEOCELL 2300 TRIPOLYMER SEALANT TO EACH EXPOSED FASTENER HEAD USED IN FLASHING INSTALLATION.
4. APPLY GEOCELL 2300 TRIPOLYMER SEALANT ACCORDING TO MANUFACTURERS INSTRUCTIONS.
5. IF ROOF DECKING IS LESS THAN 5/8 INCH THICK, ANCHOR SPACING MUST BE DECREASED TO 5 3/8 INCHES MAXIMUM ON CENTER AROUND THE ENTIRE PERIMETER OF THE FLASHING.

DESIGN PRESSURE RATING (PSF)	IMPACT RATING
±80.0	LARGE MISSILE IMPACT

TABLE OF CONTENTS		
SHEET	REV.	SHEET DESCRIPTION
1	—	NOTES, D.P. CHART, ELEVATION & ANCHOR LAYOUT
2	—	SECTIONS AND DETAILS



NATURAL LIGHT
21"

NATURAL LIGHT
13"

ELEVATION & ANCHOR LAYOUT

EXTERIOR VIEW

APPROVED BY: PAUL E. WINTER, P.E.	DATE: 12/4/2008
REV	DESCRIPTION
DATE	BY

NATURAL LIGHT ENERGY SYSTEMS
10821 NORTH 23RD AVENUE
PHOENIX, ARIZONA 85029

TITLE: IMPACT SELF FLASHING SINGLE GLAZED TUBULAR SKYLIGHTS
NOTES, D.P. CHART, ELEVATION & ANCHOR LAYOUT

PREPARED BY: PTC PTC, LLC Phone 321.690.1788 Fax 321.690.1789	DRAWN BY: SMC	DATE: 12/4/08
SCALE: N.T.S.	DRAWING NO: NLS0003	
REV:	SHEET: 1 OF 2	

PROJECT #308-1010.26

Paul E. Winter
Florida PE 22993

[Signature]
12/4/08

PTC, LLC
1535 N. Cogswell Street, Suite C25
Rockledge, Florida 32955
FBPE Certificate of Authorization NO. 25935

